

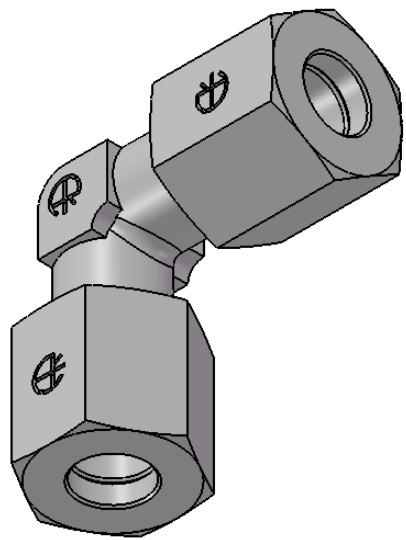
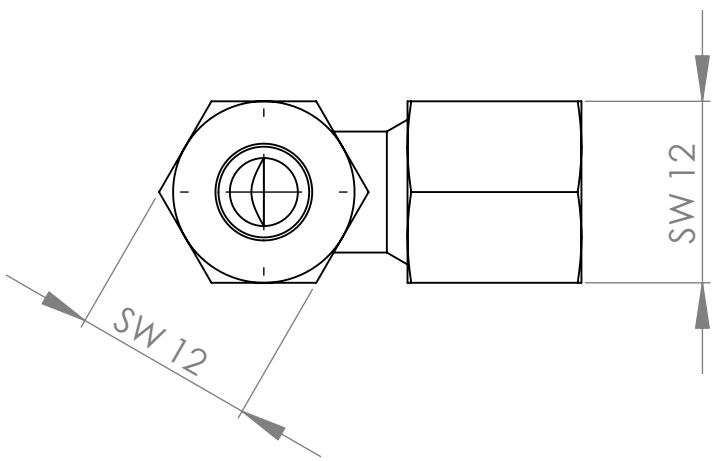
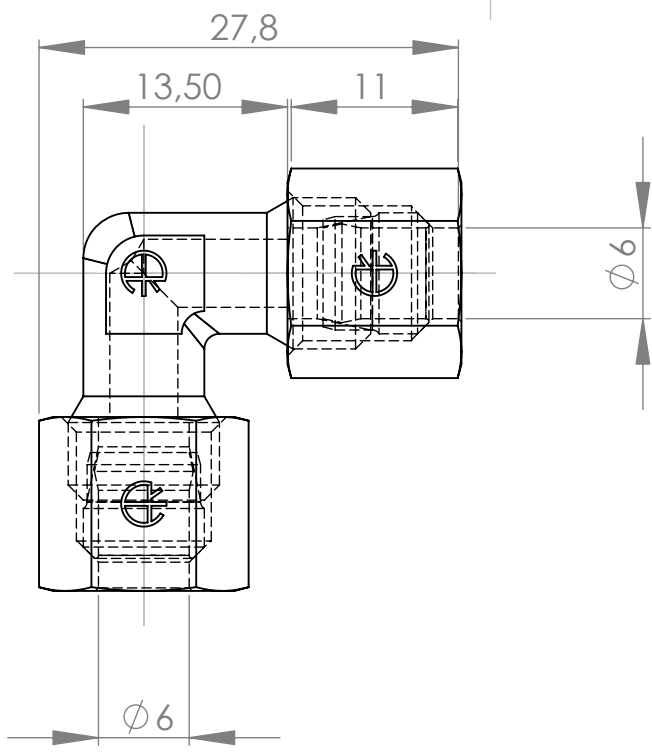
A

B

C

D

E



UNLESS OTHERWISE SPECIFIED:  
 DIMENSIONS ARE IN MILLIMETERS  
 SURFACE FINISH:  
 TOLERANCES:  
 LINEAR:  
 ANGULAR:

FINISH:

DEBUR AND  
 BREAK SHARP  
 EDGES

DO NOT SCALE DRAWING

REVISION

	NAME	SIGNATURE	DATE		
DRAWN			03.01.2023		
CHKD					
APPV'D					
MFG					
Q.A					
				MATERIAL:	
				Stahl, verzinkt	
				WEIGHT:	

TITLE:		<b>Autoteile-Plauen.de</b> L.Dörfler u. M.Wunderlich GbR Am Stadtwald 10 08525 Plauen	
DWG NO.	<b>AutoTeilePlauen-2876</b>	A4	
SCALE: 2:1	SHEET 1 OF 1		