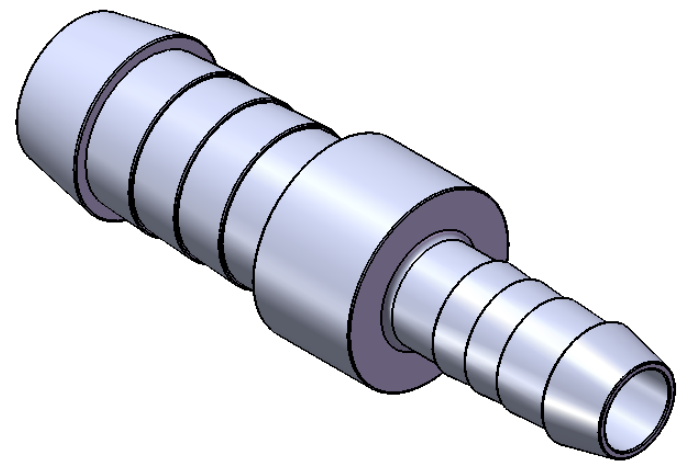


### SCHNITT A-A MAßSTAB 2 : 1



UNLESS OTHERWISE SPECIFIED:  
DIMENSIONS ARE IN MILLIMETERS  
SURFACE FINISH: galvanisch verzinkt  
TOLERANCES:  
LINEAR:  
ANGULAR:

FINISH:  
  
DEBUR AND  
BREAK SHARP  
EDGES

DO NOT SCALE DRAWING

REVISION

NAME	SIGNATURE	DATE			
DRAWN		14.12.2022			
CHKD					
APPV'D					
MFG					
Q.A					
			MATERIAL: <b>Stahl, verzinkt</b>		
			WEIGHT:		

TITLE: <b>Autoteile-Plauen.de</b> L. Dörfler u. M. Wunderlich GBR Am Stadtwald 10 08525 Plauen	
DWG NO. <b>ATP-2872</b>	A4
SCALE: 2:1	SHEET 1 OF 1