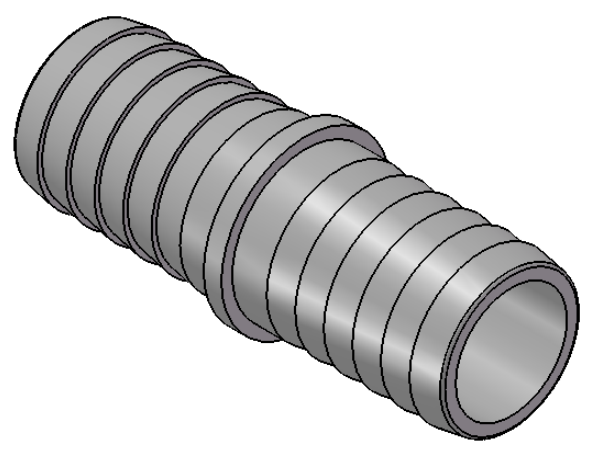


SCHNITT A-A
 MAßSTAB 2 : 1



UNLESS OTHERWISE SPECIFIED:
 DIMENSIONS ARE IN MILLIMETERS
 SURFACE FINISH:
 TOLERANCES:
 LINEAR:
 ANGULAR:

FINISH:

DEBUR AND
 BREAK SHARP
 EDGES

DO NOT SCALE DRAWING

REVISION

	NAME	SIGNATURE	DATE		
DRAWN			21.12.2022		
CHKD					
APPV'D					
MFG					
Q.A					
				MATERIAL: Edelstahl 1.4301	
				WEIGHT:	

TITLE: Autoteile-Plauen.de L.Dörfler u. M.Wunderlich GbR Am Stadtwald 10 08525 Plauen	
DWG NO. AutoTeilePlauen-2875	A4
SCALE: 2:1	SHEET 1 OF 1