

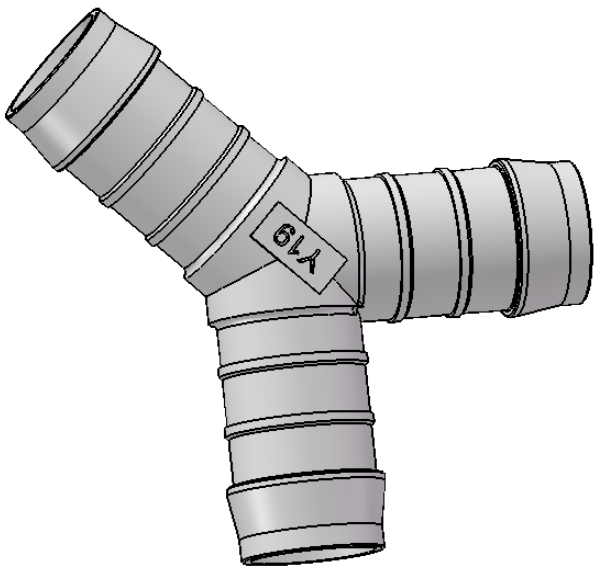
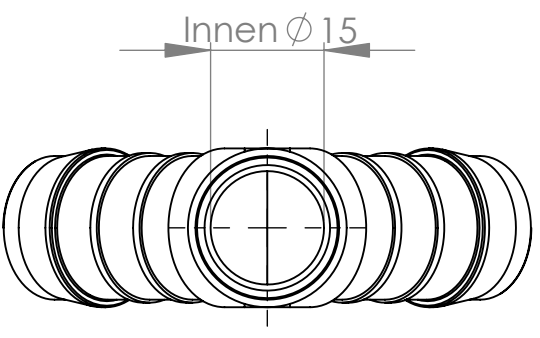
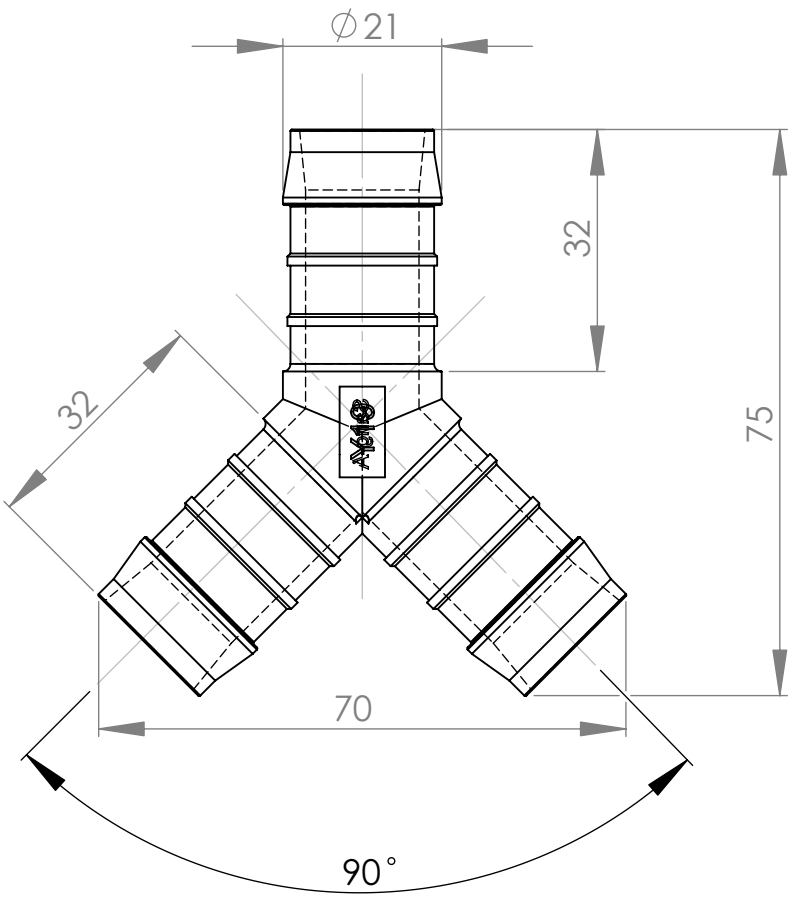
A

B

C

D

E



UNLESS OTHERWISE SPECIFIED:
 DIMENSIONS ARE IN MILLIMETERS
 SURFACE FINISH:
 TOLERANCES:
 LINEAR:
 ANGULAR:

FINISH:

DEBUR AND
 BREAK SHARP
 EDGES

DO NOT SCALE DRAWING

REVISION

	NAME	SIGNATURE	DATE
DRAWN			03.02.2023
CHKD			
APPV'D			
F MFG			
Q.A			

TITLE:		Autoteile-Plauen.de L.Dörfler u. M.Wunderlich GbR Am Stadtwald 10 08525 Plauen	
DWG NO.	AutoTeilePlauen-2880		A4
SCALE: 2:1	SHEET 1 OF 1		

MATERIAL:
POM, Weiß

WEIGHT: